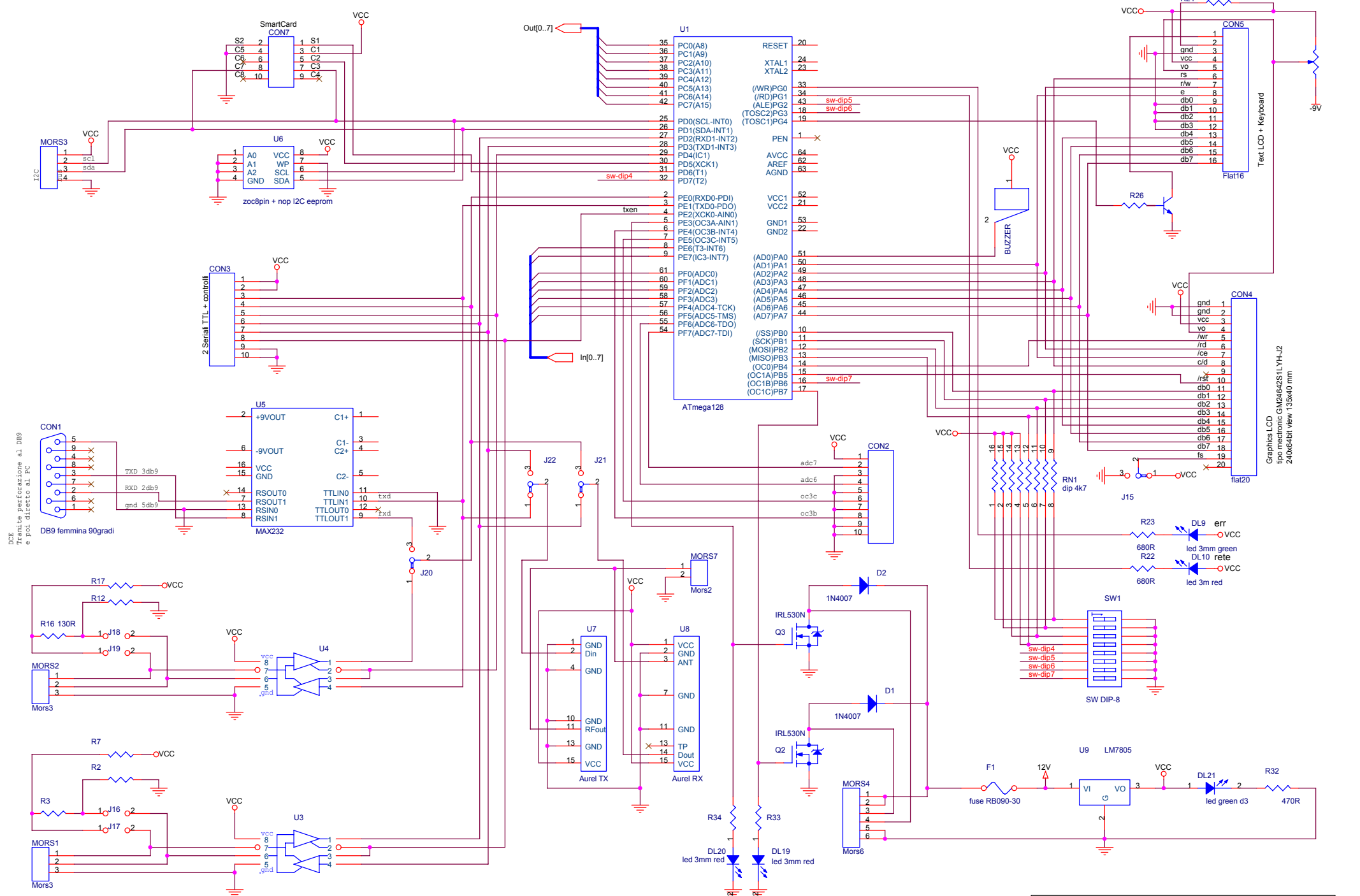


Title		
All Card		
Size	Document Number	Rev
A3	<Doc>	1.0
Date:	Wednesday, August 20, 2003	Sheet 1 of 2



DCE Tramite Perforazione ai DB9 e poi diretto al PC

DB9 femmina 90gradi

Graphics LCD tipo mecatronic GM24642S1LYH-J2 240x64bit view 135x40 mm



Title			GEVA elettronica		
Size	Document Number				Rev
A3	All Card				<Rev Code>
Date:	Wednesday, August 20, 2003	Sheet	2	of	2